

**2025 Board Members:****President:**

Arlene Gross  
RLATG  
Labcorp

**Vice President:**

Jen Thompson  
BS, RVT, RLATG  
Labcorp

**Secretary:**

Katie Harris  
BS, RLATG  
Labcorp

**Treasurer:**

Beth Skiles  
RVT, VTS(LAM), RLATG,  
LSSBB  
IU School of Medicine

**2025 Council Members:**

- Amanda Darbyshire  
DVM, DACLAM  
Purdue University
- Jen King  
LAT, ILAM  
Taconic Biosciences
- Andi Barber  
RVT, LATG  
Labcorp
- Lindsey Dice  
BS, RLAT  
Labcorp
- Stephanie Blevins  
BS, LAT, SRA  
IUPUI, LARC

**A Letter From the President:**

Happy March INAALAS!

I hope everyone had a great February. I am not sure how it is March, but I am looking forward to some warmer weather! I think we ended February with a bang! The Annual Awards Banquet was a huge success.

CONGRATULATIONS to all of our award winners! Check out their photos here in the newsletter. It meant the world to me and the rest of the board and council that so many of our members nominated their colleagues and attended the banquet. The Skyline was an awesome venue for our event, and I want to send out another huge THANK YOU to Georgie from NKP-Isotec USA for hooking us up and sponsoring us at the venue. I want to thank our award sponsors: Charles River, Allentown, PMI LabDiet and Cincinnati Lab Supply/Shepherd Specialty Paper. Also, thank you to our silver meal sponsors Charles River and Ancare. And thank you to our gold meal sponsors Inovive and Labcorp. Everyone looked awesome dressed up and I hope a great time was had by all! If anyone has any awesome photos of the event, please email them to me!

The 2024 District 5 meeting dates should be announced soon. I will make sure to share the dates and the nomination information once we receive it. The Michigan branch is hosting the virtual event this year. Anyone that is a member of this branch is eligible to be nominated for the District 5 awards. They will have similar categories as we had for our awards. So, please make sure to recognize your colleagues!

We have a virtual talk coming up on March 28<sup>th</sup> at 11am showcasing Inotiv surgery models. Please make sure to tune in if you can! The presentation will be recorded and made available on our website later.

**In This Issue:**

- P.1 A Letter From the President
- P.2 AALAS Podcast
- P.4 Awards Banquet Sponsors
- P.5 INAALAS Award Winners
- P.6 Certification Corner
- P.10 Membership Information
- P.11 Upcoming Events

The Zoom link is:

[https://urldefense.com/v3/\\_https://zoom.us/j/94314265413?pwd=vih28Z8moHTkwE6UUatWFkCUQods60.1\\_!!BS-MXwli!GvmeLUuLL-O\\_t9cWgfBBcYaQx8lbvqSto1FXyl7FGsDuxGhPF8hd4vLfB5UFA0aCIVFSwYuKsvw4yI3Zzk6ZlhQs](https://urldefense.com/v3/_https://zoom.us/j/94314265413?pwd=vih28Z8moHTkwE6UUatWFkCUQods60.1_!!BS-MXwli!GvmeLUuLL-O_t9cWgfBBcYaQx8lbvqSto1FXyl7FGsDuxGhPF8hd4vLfB5UFA0aCIVFSwYuKsvw4yI3Zzk6ZlhQs)

Our next outing will be one that has been highly requested and eagerly awaited!! On May 3<sup>rd</sup> INAALAS is going to Peaceable Primate Sanctuary in Winamac, Indiana. More details to come, but we plan to tour the facility and see all the wonderful, retired lab heroes that Scott and his staff give a wonderful retirement. We will have a RSVP link and more details soon!

We have booked a venue for the 2026 District 5 meeting! We will be hosting this meeting at the Crown Plaza Downtown Indianapolis Union Station. This historic building was the FIRST union station in the world! It is stunning and will be a great venue for our meeting! The hotel is going thru a full remodel, and it will be all new and updated right before our meeting! There are guest rooms in actual train cars and the basic bones of the building are original. There are tons of restaurants and things to do in walking distance. Please reach out if you would like to help us with our committees for planning!

Have a great March and make sure to enjoy spring as it slowly rolls in!

Arlene

LATG

INAALAS Branch President





Listen here:



 **charles river** | every step of the way.

**TONYA BERGMAN**  
Sr. Business Development Director  
Research Models and Services

251 Ballardvale Street, Wilmington, MA 01887  
Mobile: 636-628-8623  
Tonya.Bergman@crl.com • www.criver.com

 **charles river** | every step of the way.

**LYNDSEY ZAHEL, BA, MSA**  
Business Development Manager  
Research Models and Services

251 Ballardvale Street, Wilmington, MA 01887  
Mobile: 269-808-6492  
lyndsey.zahel@crl.com • www.criver.com



## SAVING HUMANS SINCE 1947

Throughout time, animal heroes big and small have played a key role in the development of medical breakthroughs and disease fighting therapies. Without them, insulin wouldn't be saving lives, polio wouldn't be a thing of the past. While there have been many victories, the battle is far from over. Charles River is committed to providing the legion of champions that continues to be instrumental in our quest to preserve human health.

 **charles river**

Access Our  
2025 Research Models  
and Services Catalog





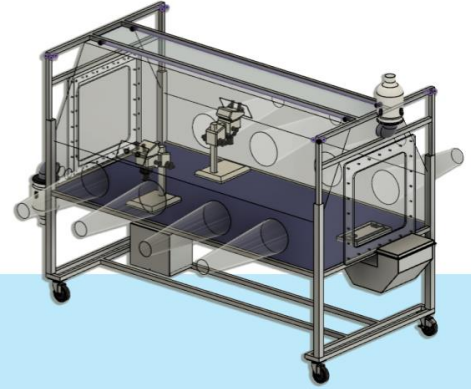


## Bespoke Biocontainment

Customized for your project, space, and needs; our Biocontainment equipment fits flawlessly.

Whether you're working with limited space, intricate layouts, or diverse functional needs, our Biocontainment Equipment ensures a perfect fit.

With us, you're not just getting equipment – you're getting a bespoke solution that transforms your lab into a harmonious and efficient workspace.



bioBUBBLE Environments are custom designed in any size and configuration



## Class 100 to BSL-4 solutions

To learn more about bioBUBBLE Environments, visit [www.bioBUBBLE.com](http://www.bioBUBBLE.com)

### Validated Delivery Solutions

Call Center: 877-355-3773

#### Eric A. Syversen

VP, Animal Transportation

P: 443-878-5514

F: 877-854-1451

E: [eric@vcgrc.com](mailto:eric@vcgrc.com)

[www.validatedcourier.com](http://www.validatedcourier.com)

**VALIDATED  
DELIVERY SOLUTIONS**

Research Animal Delivery Done Right and At the Right Price

### Terry Massie

Regional Sales Manager - Midwest Region

[tmassie@sanitationstrategies.com](mailto:tmassie@sanitationstrategies.com)

Cell: 1.517.899.6164



Hygienic Solutions for Critical Environments®

Thank you to our 2024 Annual  
Awards Banquet Sponsors





# Congratulations to our INAALAS Award Winners:



**ALAT of the Year Award**

**Samantha Stanley**



**LATG of the Year Award**

**Arlene Gross**



**Brian D. Clark & Validated Delivery LAT of the Year Award**

**Cody Robinette**



**PMI LabDiet Laboratory Animal Technician of the Year Award**

**Alexa Newlin**



**Allentown Research Support Staff of the Year Award**

**Lindsey Dice**



**INAALAS Distinguished Service Award**

**Beth Skiles**



**Charles River Excellence In Laboratory Animal Science Award**

**Jennifer Thompson**



**Cincinnati Lab Supply Shepherd Specialty Paper Animal Welfare Award**

**Shelby Earley**



**INAALAS Vendor of the Year Award**

**Terry Burns-Heffner**

# Certification Corner:

## Want to Obtain an AALAS Certification? Here's How:

### Technician Certification



The AALAS Technician Certification Program sets professional standards for the advancement of laboratory animal science. This program was developed to recognize professional achievement and provide an authoritative endorsement of a technician's level of knowledge in laboratory animal technology.

AALAS certifies technicians at three levels:

- Assistant Laboratory Animal Technician (ALAT)
- Laboratory Animal Technician (LAT)
- Laboratory Animal Technologist (LATG)

The technician certification designations of ALAT, LAT, and LATG are well known and widely used throughout the varied fields of laboratory animal care. In fact, these certifications have come to be a common requirement for a lab animal care position.

		Education level				Lab animal work experience (years)
		Current cert. level	HS/ GED or higher	AA/AS or higher	BA/BS or higher	
ALAT Exam	<input type="checkbox"/>					2
	<input type="checkbox"/>		•			1
	<input type="checkbox"/>			•		0.5
LAT Exam	<input type="checkbox"/>		•			3
	<input type="checkbox"/>			•		2
	<input type="checkbox"/>				•	1
	<input type="checkbox"/>	ALAT	•			0.5*
LATG Exam	<input type="checkbox"/>		•			5
	<input type="checkbox"/>			•		4
	<input type="checkbox"/>				•	3
	<input type="checkbox"/>	LAT	•			0.5*

\* Work experience must be acquired after attaining the specified certification.  
 \*\* Option for those without documentation of education level.

	ALAT	LAT	LATG
Number of questions	120	155	180
Time limit	2 hrs	2.5 hrs	3 hrs
Anim Hus, Health, Welfare	66–92%	65–91%	50%
Facility Admin & Mgmt	8–34%	9–35%	50%

### Steps to take the Exam:

1. Fill out an application here: <https://www.aalas.org/certification/technician-certification>
2. Submit your application with everything filled out and all required documents.
3. You will receive an email containing your authorization to test letter and instructions to set up a Prometric testing date and time. This must be done within 90 days of receiving the email.
4. Study up and prepare for the level you are trying to attain. Materials to study can be found at: <https://www.aalas.org/certification/technician-certification/technician-certification-resources>
5. You will know if you Pass/Fail as soon as you finish the exam and will be given a printout of proof and an email confirmation to give your workplace.
6. Your certificate will be sent out and delivered to your house about 2 weeks later.

Requirements to take the exam can be seen on the left.



Here's what each exam covers.





# Expect More from Your Partner in Research Models and Services

Gain the insights you deserve to get the answers you need.



Contract  
Breeding  
Services



Surgical  
Services



Genetically  
Engineered  
Models & Services

For more information contact:

**Juliana Weir**

Account Manager

[Juliana.Weir@inotivco.com](mailto:Juliana.Weir@inotivco.com)

(317) 379-7309



[inotivco.com](http://inotivco.com)



Excellence  
In The Cage  
Starts Here™

**TERRY BURNS-HEFFNER**  
Global Director of Business Development

P.O. BOX 206  
LISBON, MD 21765  
Cell (301) 452-7161  
Fax (410) 489-9657  
tbheffner@ssponline.com

CUSTOMER SERVICE:  
(800) 382-5001  
www.ssponline.com

Conor Morrill  
Upper Midwest Technical Sales Consultant

cmorrill@AllentownInc.com  
(M) 847-400-6549  
(T) 800-762-2243



ALLENTOWNINC.COM



Creative Animal Resource Education

## Sol Del Mar

Leading the path to AALAS certification!

getcertified@soldelmarinc.com  
<https://soldelmarinc.com/training>



**MIKE ENGLE**  
Sales Manager

mike.engle@vrl.net  
C: 317-509-3126

**JOSE GADEA**  
JOSE.GADEA@UIDEVICES.COM  
P 224.444.8484  
C 408.564.9780  
UIDEVICES.COM



**JULIANA WEIR**  
MIDWEST- ACCOUNT MANAGER

p: 317.379.7309  
e: juliana.weir@inotivco.com  
inotivco.com



**TONYA BERGMAN**  
Sr. Business Development Director  
Research Models and Services

251 Ballardvale Street, Wilmington, MA 01887  
Mobile: 636-628-8623  
Tonya.Bergman@crl.com • www.criver.com



# Advancing Science. Enriching Animals.



We've served the research community for more than 50 years and are known for creating products that meet the needs of research animals.

**Bio-Serv's products are trusted by researchers around the globe.**



NUTRITIONAL



ENRICHMENT



MEDICATED



SPECIAL NEEDS



## Bio-Serv®

Advancing Science • Enriching Animals

# No Storage Space?

**GO DRUMLESS!**

## SolidTEK™ SOLID DETERGENT TECHNOLOGY

The **Perpetual Drum** is a proprietary system that dissolves solid detergent in a dual containment tank, which eliminates the need for chemical drums. Say goodbye to the handling large drums!

Our system is operated by a programmable logic controller that displays the current chemical levels as well as provides other valuable data to enhance your sanitation program.



## THE PERPETUAL DRUM™



GO FROM THIS



TO THIS



## BENEFITS OF GOING SOLID:



### IMPROVES WORKPLACE ERGONOMICS

Eliminates the hassle for your employees to move bulky drums and 2000 lb. pallets resulting in improved workplace ergonomics.



### INCREASED STORAGE

Large chemical drums and bulk tanks occupy a large amount of surface area. The transition to capsules affords more storage space in your facility.



### MORE ECOFRIENDLY

Eliminating large drums significantly decreases the amount of plastic being disposed and reduces the fossil fuels needed to create the plastic and transport the drums.

CONTACT US FOR MORE INFO:



+1.877.494.4364



sales@sanitationstrategies.com



Scan QR code for SolidTek video

# Indiana AALAS Chapter Membership

## 2025 Membership Opportunities:

Individual Membership (after November 15, 2024): \$30

Student Membership (proof of school registration required): \$15

## Institutional Memberships: \$30 per member



- 0-10 members / No discount
- 11-20 members / 5% discount
- 21-50 members / 10% discount
- 51-75 members / 15% discount
- 76+ members / 20% discount

## Vendor Memberships:

\$100 - Includes 2 memberships and placement on newsletter

(Additional memberships available for \$30 each.)



**jove** | **AALAS**

**Advancing Laboratory Animal Science Through Visual Learning**

Your trusted partner in research and innovation, providing cutting-edge research and *in vivo* training for animal model R&D.

Explore video protocols for models like murine, NHPs, *C. elegans*, and more.

Scan the QR code to request a demo. Contact us at [subscriptions@jove.com](mailto:subscriptions@jove.com) for more information.



## AALAS Crossword Answers:



**LAB  
PRODUCTS**

800.526.0469

labproductsllc.com

We take care of you, so you can take care of them

Versatile housing for any research  
Trusted US-based manufacturing

## DIASYS DIAGNOSTIC SYSTEMS, USA, LLC

28287 Beck Rd. Building D15  
Wixom, Mi 48393  
800-466-9106  
www.diasys-us.com  
customerservice@diasysusa.com

•Scientific Solutions for Advanced Diagnostics•  
DiaSys Diagnostic Systems USA, LLC is a Leading  
Specialist in the Development and Manufacturing of  
Diagnostic System Solutions of the Highest Quality.



**DiaSys**

**USA**



Visit us online at [Diasys-us.com](http://Diasys-us.com) and follow DiaSys Diagnostics Systems, USA, LLC, on Facebook for the latest updates

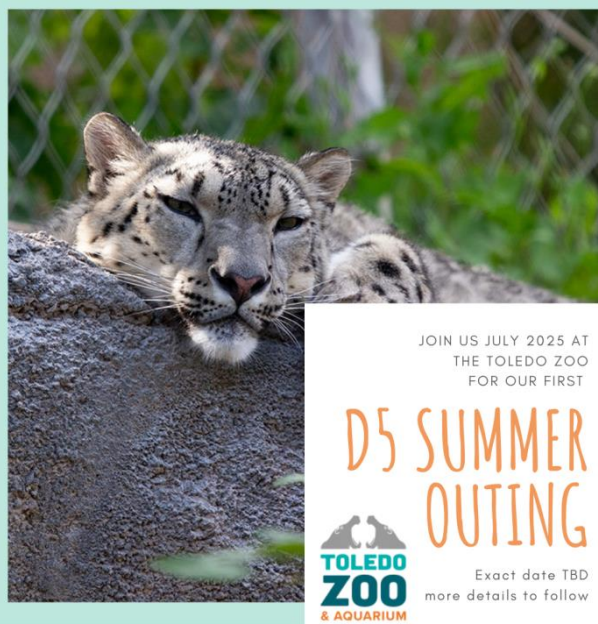


# Upcoming AALAS Events:

Save The Date:  
Membership Outing  
May 3, 2025



PEACEABLE  
PRIMATE  
SANCTUARY



JOIN US JULY 2025 AT  
THE TOLEDO ZOO  
FOR OUR FIRST

D5 SUMMER  
OUTING



Exact date TBD  
more details to follow

See You Next  
Month!

