

**2025 Board Members:****President:**

Arlene Gross
RLATG
Labcorp

Vice President:

Jen Thompson
BS, RVT, RLATG
Labcorp

Secretary:

Katie Harris
BS, RLATG
Labcorp

Treasurer:

Beth Skiles
RVT, VTS(LAM), RLATG,
LSSBB
IU School of Medicine

2025 Council Members:

- Amanda Darbyshire
DVM, DACLAM
Purdue University
- Jen King
LAT, ILAM
Taconic Biosciences
- Andi Barber
RVT, LATG
Labcorp
- Lindsey Dice
BS, RLAT
Labcorp
- Stephanie Blevins
BS, LAT, SRA
IUPUI, LARC

**A Letter From the President:**

Happy May INAALAS!

Welcome to Indy car season here in Indiana! I can't believe it's already time to see the checkered flag and race car decorations everywhere again. This spring is flying by.

We have our long-awaited outing to Peaceable Primates on May 3rd! I can't wait to see everyone there. It is going to be amazing to see their fantastic facility and see these retired lab heroes living their best lives! I know everyone's donation will be greatly appreciated by Scot, his staff and the animals! I am excited to see what everyone is donating to this fantastic cause. If you haven't already picked out your donation for your "entry ticket" please make sure to check out their Amazon wish list here: ([https://urldefense.com/v3/_https://www.amazon.com/hz/wishlist/ls/2Z5CQWAYGG57D?ref=wl_share_!!BS-MXwli!D-FweOFbqelyKMV2911gl6scP0EKbiebW92tcuyb7_Tq9mCG9cWVnwIWP6uaCq5krvKQsNuwrJOCfMCMmV_mHvDI\\$](https://urldefense.com/v3/_https://www.amazon.com/hz/wishlist/ls/2Z5CQWAYGG57D?ref=wl_share_!!BS-MXwli!D-FweOFbqelyKMV2911gl6scP0EKbiebW92tcuyb7_Tq9mCG9cWVnwIWP6uaCq5krvKQsNuwrJOCfMCMmV_mHvDI$)). If you use this link for a donation, just show us your Amazon receipt when you arrive. If you would like to bring your donation with you, please check out the list of items included in the newsletter as a guide for what is useful for the sanctuary. Thank you to VRL for sponsoring this awesome outing!

Make sure to mark your calendars for May 23rd for the Inotiv Surgery Talk virtual presentation at 11am. This will be a very informative talk. Please check your previous INAALAS emails for all the log in information. We will have this available on our website a few days after the live event for those who cannot attend.

In This Issue:

P.1 A Letter From the President

P.2 AALAS Podcast

P.4 Peaceable Primates Event RSVP

P.5 Certification Corner

P.9 Membership Information

P.10 Upcoming AALAS Events

The virtual AALAS District 5 awards presentation is on May 28th at 12:00 noon. We have multiple INAALAS members that are nominated for awards, so please make sure to attend and support them! Here is the registration link:

https://docs.google.com/forms/d/e/1FAIpQLSc-xvYKT-hShj6IMQNYGfFoQsP0j_LPp5iJSbSpFffx8SsOIBw/viewform

We are currently looking for speakers for our upcoming Annual Meeting on October 2nd. If you or one of your colleagues have a topic that you would like to speak about, please reach out. We would love to showcase our members and their important work!

The Kentucky AALAS branch is hosting a FREE Axolotl Husbandry Workshop July 28-29 at the University of Kentucky. Please check out the flyer in the newsletter for more information.

Have a great May!

Arlene

LATG

INAALAS Branch President





Listen here:



 **charles river** | every step of the way.

TONYA BERGMAN
Sr. Business Development Director
Research Models and Services

251 Ballardvale Street, Wilmington, MA 01887
Mobile: 636-628-8623
Tonya.Bergman@crl.com • www.criver.com

 **charles river** | every step of the way.

LYNDSEY ZAHEL, BA, MSA
Business Development Manager
Research Models and Services

251 Ballardvale Street, Wilmington, MA 01887
Mobile: 269-808-6492
lyndsey.zahel@crl.com • www.criver.com



SAVING HUMANS SINCE 1947

Throughout time, animal heroes big and small have played a key role in the development of medical breakthroughs and disease fighting therapies. Without them, insulin wouldn't be saving lives, polio wouldn't be a thing of the past. While there have been many victories, the battle is far from over. Charles River is committed to providing the legion of champions that continues to be instrumental in our quest to preserve human health.

 **charles river**

Access Our
2025 Research Models
and Services Catalog



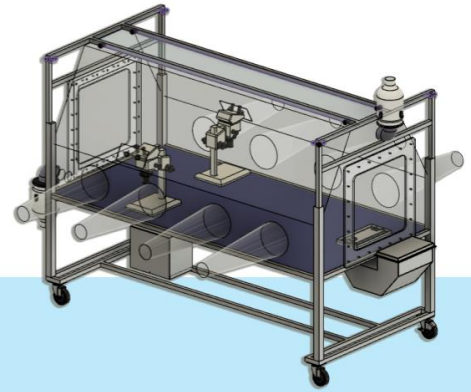


Bespoke Biocontainment

Customized for your project, space, and needs; our Biocontainment equipment fits flawlessly.

Whether you're working with limited space, intricate layouts, or diverse functional needs, our Biocontainment Equipment ensures a perfect fit.

With us, you're not just getting equipment – you're getting a bespoke solution that transforms your lab into a harmonious and efficient workspace.



bioBUBBLE Environments are custom designed in any size and configuration



Class 100 to BSL-4 solutions

To learn more about bioBUBBLE Environments, visit www.bioBUBBLE.com

Validated Delivery Solutions

Call Center: 877-355-3773

Eric A. Syversen

VP, Animal Transportation

P: 443-878-5514

F: 877-854-1451

E: eric@vcgrc.com

www.validatedcourier.com

**VALIDATED
DELIVERY SOLUTIONS**

Research Animal Delivery Done Right and At the Right Price

Terry Massie

Regional Sales Manager - Midwest Region

tmassie@sanitationstrategies.com

Cell: 1.517.899.6164



Hygienic Solutions for Critical Environments®

<p>PEACEABLE PRIMATE SANCTUARY</p> <p>Winamac, IN</p>		<p>INAALAS Membership Outing</p>  <p>Saturday, May 3rd 11am-2pm Central Time</p>
		

PLEASE JOIN US FOR AN AFTERNOON AT PEACEABLE PRIMATES SANCTUARY IN WINAMAC, INDIANA!

YOU WILL BE ABLE TO TOUR THE FACILITY AND SEE THEIR RETIRED LABORATORY ANIMAL HEROES!

SPECIAL GUEST SPEAKER IRIS BOLTON, DVM

FINGER FOODS AND REFRESHMENTS WILL BE PROVIDED

THIS EVENT IS CURRENTLY OPEN TO INAALAS MEMBERS.

REGISTRATION FEE IS A DONATION TO THE SANCTUARY!

There is a list of items you can bring in person attached. Or, if you would like to donate thru their Amazon wish list you can show proof of purchase when you

arrive: https://www.amazon.com/hz/wishlist/ls/2Z5CQWAYGGS7D?ref=wl_share

RSVP

Link: <https://www.indianaaalas.org/events-1/memership-outing>

Peaceable Primate Donation Wishlist:

Food Items:

- Dry pasta (elbow, penne, etc.)
- Sugar-free Jell-O
- Low sodium ketchup
- Low sodium mustard
- Organic or sugar-free juices (apple, grape, etc.)
- Organic or sugar-free jam (any flavor)
- Peanut butter
- Cheerios
- Peanuts (in or out of shell, unsalted)
- Applesauce (no added sugar)
- Almonds (no salt/sugar)
- Oatmeal (unflavored, no added sugar)
- Raisins (no added sugar)

Enrichment Items:

- Colorful paper streamers
- Paper bags (no glue, staples, or tape)
- Paper cups (wax-free)
- Blankets (no strings, no stuffing)
- Radios
- Washable sidewalk chalk
- Butcher paper

Supplies:

- Printer paper
- Batteries (AA, AAA)
- Dawn Dish Soap
- Clorox Bleach

Certification Corner:

Want to Obtain an AALAS Certification? Here's How:

Technician Certification



The AALAS Technician Certification Program sets professional standards for the advancement of laboratory animal science. This program was developed to recognize professional achievement and provide an authoritative endorsement of a technician's level of knowledge in laboratory animal technology.

AALAS certifies technicians at three levels:

- Assistant Laboratory Animal Technician (ALAT)
- Laboratory Animal Technician (LAT)
- Laboratory Animal Technologist (LATG)

The technician certification designations of ALAT, LAT, and LATG are well known and widely used throughout the varied fields of laboratory animal care. In fact, these certifications have come to be a common requirement for a lab animal care position.

		Education level				Lab animal work experience (years)
		Current cert. level	HS/ GED or higher	AA/AS or higher	BA/BS or higher	
ALAT Exam	<input type="checkbox"/>		•			2
	<input type="checkbox"/>			•		1
	<input type="checkbox"/>				•	0.5
LAT Exam	<input type="checkbox"/>		•			3
	<input type="checkbox"/>			•		2
	<input type="checkbox"/>				•	1
	<input type="checkbox"/>	ALAT	•			0.5*
LATG Exam	<input type="checkbox"/>		•			5
	<input type="checkbox"/>			•		4
	<input type="checkbox"/>				•	3
	<input type="checkbox"/>	LAT	•			0.5*

* Work experience must be acquired after attaining the specified certification.
 ** Option for those without documentation of education level.

	ALAT	LAT	LATG
Number of questions	120	155	180
Time limit	2 hrs	2.5 hrs	3 hrs
Anim Hus, Health, Welfare	66–92%	65–91%	50%
Facility Admin & Mgmt	8–34%	9–35%	50%

Steps to take the Exam:

1. Fill out an application here: <https://www.aalas.org/certification/technician-certification>
2. Submit your application with everything filled out and all required documents.
3. You will receive an email containing your authorization to test letter and instructions to set up a Prometric testing date and time. This must be done within 90 days of receiving the email.
4. Study up and prepare for the level you are trying to attain. Materials to study can be found at: <https://www.aalas.org/certification/technician-certification/technician-certification-resources>
5. You will know if you Pass/Fail as soon as you finish the exam and will be given a printout of proof and an email confirmation to give your workplace.
6. Your certificate will be sent out and delivered to your house about 2 weeks later.

Requirements to take the exam can be seen on the left.



Here's what each exam covers.



Expect More from Your Partner in Research Models and Services

Gain the insights you deserve to get the answers you need.



Contract
Breeding
Services



Surgical
Services



Genetically
Engineered
Models & Services

For more information contact:

Juliana Weir

Account Manager

Juliana.Weir@inotivco.com

(317) 379-7309



inotivco.com



Excellence
In The Cage
Starts Here™

TERRY BURNS-HEFFNER
Global Director of Business Development

P.O. BOX 206
LISBON, MD 21765
Cell (301) 452-7161
Fax (410) 489-9657
tbheffner@ssponline.com

CUSTOMER SERVICE:
(800) 382-5001
www.ssponline.com

Conor Morrill
Upper Midwest Technical Sales Consultant

cmorrill@AllentownInc.com
(M) 847-400-6549
(T) 800-762-2243



ALLENTOWNINC.COM



Creative Animal Resource Education

Sol Del Mar

Leading the path to AALAS certification!

getcertified@soldelmarinc.com
<https://soldelmarinc.com/training>



MIKE ENGLE
Sales Manager

mike.engage@vrl.net
C: 317-509-3126

JOSE GADEA
JOSE.GADEA@UIDEVICES.COM
P 224.444.8484
C 408.564.9780
UIDEVICES.COM



JULIANA WEIR
MIDWEST- ACCOUNT MANAGER

p: 317.379.7309
e: juliana.weir@inotivco.com
inotivco.com



TONYA BERGMAN
Sr. Business Development Director
Research Models and Services

251 Ballardvale Street, Wilmington, MA 01887
Mobile: 636-628-8623
Tonya.Bergman@crl.com • www.criver.com

Advancing Science. Enriching Animals.



We've served the research community for more than 50 years and are known for creating products that meet the needs of research animals.

Bio-Serv's products are trusted by researchers around the globe.



NUTRITIONAL



ENRICHMENT



MEDICATED



SPECIAL NEEDS



Bio-Serv®

Advancing Science • Enriching Animals

No Storage Space?

GO DRUMLESS!

SolidTEK™ SOLID DETERGENT TECHNOLOGY

The **Perpetual Drum** is a proprietary system that dissolves solid detergent in a dual containment tank, which eliminates the need for chemical drums. Say goodbye to the handling large drums!

Our system is operated by a programmable logic controller that displays the current chemical levels as well as provides other valuable data to enhance your sanitation program.



THE PERPETUAL DRUM™



GO FROM THIS



TO THIS



BENEFITS OF GOING SOLID:



IMPROVES WORKPLACE ERGONOMICS

Eliminates the hassle for your employees to move bulky drums and 2000 lb. pallets resulting in improved workplace ergonomics.



INCREASED STORAGE

Large chemical drums and bulk tanks occupy a large amount of surface area. The transition to capsules affords more storage space in your facility.



MORE ECOFRIENDLY

Eliminating large drums significantly decreases the amount of plastic being disposed and reduces the fossil fuels needed to create the plastic and transport the drums.

CONTACT US FOR MORE INFO:



+1.877.494.4364



sales@sanitationstrategies.com



Scan QR code for SolidTek video

Indiana AALAS Chapter Membership

2025 Membership Opportunities:

Individual Membership (after November 15, 2024): \$30

Student Membership (proof of school registration required): \$15

Institutional Memberships: \$30 per member



- 0-10 members / No discount
- 11-20 members / 5% discount
- 21-50 members / 10% discount
- 51-75 members / 15% discount
- 76+ members / 20% discount

Vendor Memberships:

\$100 - Includes 2 memberships and placement on newsletter

(Additional memberships available for \$30 each.)

jove | **AALAS**

Advancing Laboratory Animal Science Through Visual Learning

Your trusted partner in research and innovation, providing cutting-edge research and *in vivo* training for animal model R&D.

Explore video protocols for models like murine, NHPs, *C. elegans*, and more.

Scan the QR code to request a demo. Contact us at subscriptions@jove.com for more information.



LAB PRODUCTS

800.526.0469

labproductsllc.com

We take care of you, so you can take care of them

Versatile housing for any research
Trusted US-based manufacturing

DIASYS DIAGNOSTIC SYSTEMS, USA, LLC

28287 Beck Rd. Building D15
Wixom, Mi 48393
800-466-9106
www.diasys-us.com
customerservice@diasysusa.com

•Scientific Solutions for Advanced Diagnostics•
DiaSys Diagnostic Systems USA, LLC is a Leading
Specialist in the Development and Manufacturing of
Diagnostic System Solutions of the Highest Quality.



DiaSys

USA



Visit us online at Diasys-us.com and follow DiaSys Diagnostics Systems, USA, LLC, on Facebook for the latest updates



Upcoming AALAS Events:

Save The Date:
Membership Outing
May 3, 2025

Sponsored by:

VRL
ANIMAL HEALTH DIAGNOSTICS

**PEACEABLE
PRIMATE
SANCTUARY**



JULY 28-29th, 2025

AXOLOTL HUSBANDRY WORKSHOP



**Free, hands-on
training in the AGSC!**

Topics include:

Water quality

Housing

Mating

Embryo husbandry

Larval husbandry

Adult husbandry

Anesthesia

Euthanasia

Data recording



If interested, contact us at ambystoma@uky.edu
Ambystoma Genetic Stock Center
University of Kentucky
Lexington, KY
<https://ambystoma.uky.edu/genetic-stock-center/>

MAY 28, 2025

**D5
Virtual
Awards**

Join us for AALAS District 5 Virtual Awards
Wednesday, May 28, 2025 @ 12-1pm
Via Zoom
[RSVP](#)

JOIN US JULY 2025 AT
THE TOLEDO ZOO
FOR OUR FIRST

**D5 SUMMER
OUTING**

Exact date TBD
more details to follow

**TOLEDO
ZOO
& AQUARIUM**

